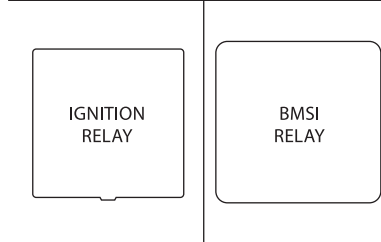
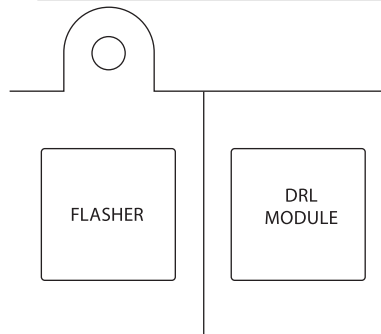
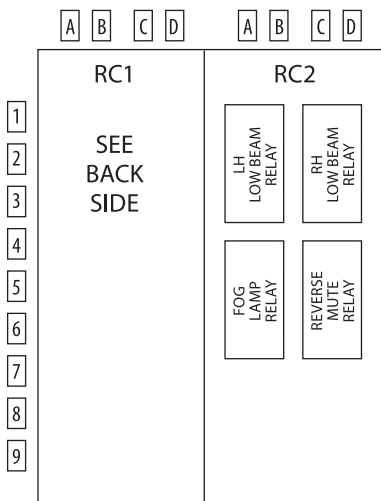


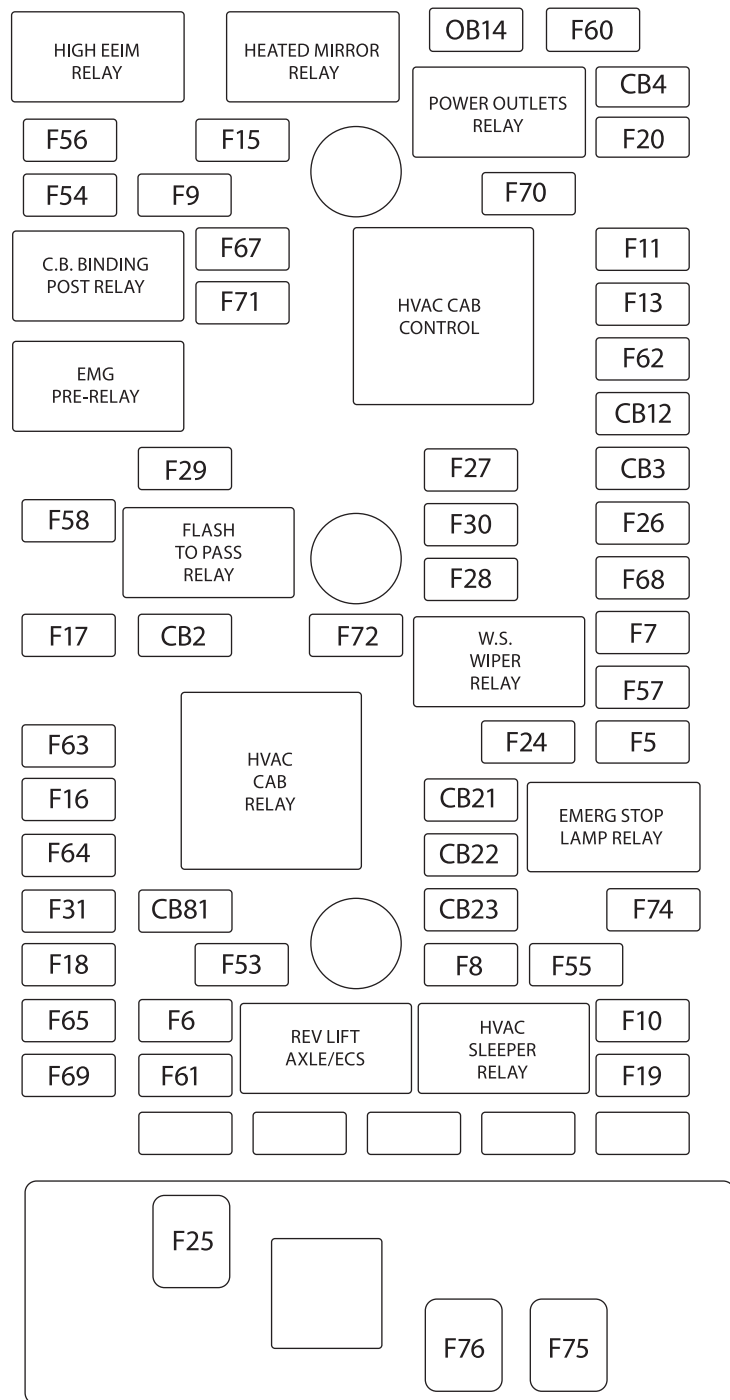


For Model Years 2014 -2019*

RC1 RC2
INSTALLED BEHIND IC

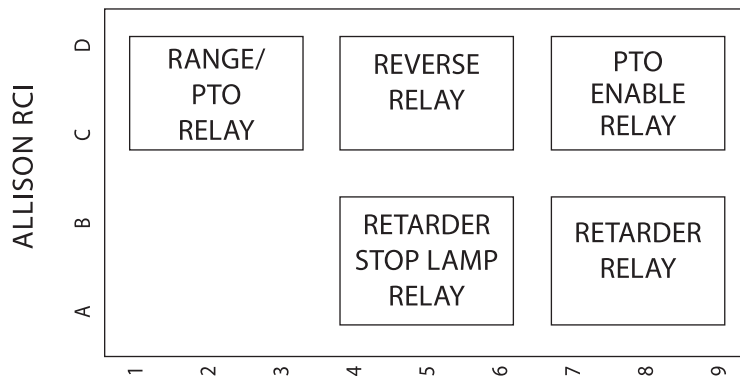


PM BLOCK INSTALLED
ABOVE RADIO



BEC DEVICE LAYOUT

For Reference Only - May Vary Per Model*



F60 -POWER OUTLETS	- 20A	CB23 - RH WINDOW LIFT	- 20A
CB4 -FLASHER/REM DOOR LOCKS	- 20A	F8 - AIR SOLENOIDS	- 15A
F20 -MOTORIZED MIRRORS	- 10A	F57 - CTR CONSOLE LIGHT	- 15A
F11 -J.B. BATT. STUD/TGW	- 15A	F15 - HEATED MIRRORS	- 20A
F13 -ABS WABCO/BENDIX	- 15A/30A	F67 - HEATER/STORAGE OUTLET	- 15A
F62 -SAE CPH/SPARE	- 15A	F71 - TRANS. (BATT) / SPARE	- 10A
CB12 -ELEC DOOR LOCKS	- 10A	F53 - BENDIX FUSION	- 10A
CB3 -PARK/TAIL/MARKER LAMPS	- 15A	F9 - CB POST/AMB. LIGHT	- 15A
F26 -HOOKUP PERIMETER LAMPS	- 15A	F29 - EMS RELAYS	- 10A
F68 -CIGAR LIGHTER	- 15A	C82 - HEAD/FOG LAMPS	- 15A
F7 -IGN. KEY SWITCH	- 10A	F6 - DOME/COURTESY LAMPS	- 10A
F5 -TRACTOR STOP LAMPS	- 10A	F61 - AUX. BATT. SW-1/SPARE	- 15A
F10 -DIAG. CONN/RADIO (BATT)	- 5A	F17 - CTRL SW. [VECU]	- 10A
F19 -INST. CLUSTER (BATTERY)	- 5A	F63 - INST. CLUSTER [EMS]	- 5A
F70 -HVAC CAB CONTROL	- 10A	F16 - VECU [EMS]	- 10A
F24 -CTI/AUX IGN. SW • 3	- 15A	F64 - BB IND. LP/SW-5 ING	- 10A
F27 -J.B. IGN. STUD/TGW	- 15A	F31 - TRANS/SPARE	- 10A
F30 -AUX. IGN. SW • 2/SPARE	- 20A	F18 - REGEN SWITCH	- 10A
F28 -HTD SEATS/HTD WS/AUX FAN	- 20A	F65 - ACC/SPARE	- 5A/15A
CB21 -WINDSHIELD WIPER/WASHER	- 20A	F69 - KEYLESS ENTRY/SPARE	- 10A
CB22 -LH WINDOW LIFT	- 20A	F25 - HVAC CAB	- 30A
F74 -ILLUMINATION DIMMER	- 5A	F76 - mDRIVE/CUMMINS DEF	- 30A
F79 -NORIVE GSECU	- 10A	F&0 - mDRIVE TECU	- 20A
F75 -SLEEPER HVAC/BB mDRIVE	- 30A	F55 - ELEC. CONTROL SUSP.	- 10A
CB14 -LOW BEAM LH	- 10A	CB81 - LOW BEAM. RH	- 10A
F56 -BENDIX FUSION	- 10A	F54 - BBM ECU	- 5A

